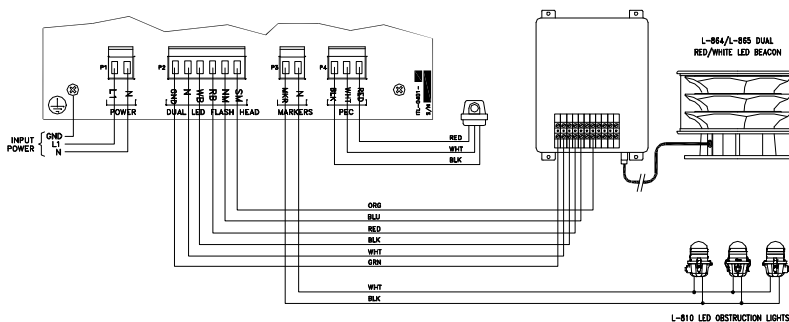


The **DLC-401 Dual Red/White LED Controller** utilizes proven ITL technology to control and monitor dual Red/White LED lighting systems. The DLC-401 monitors and controls one dual Red/White LED beacon and up to five LED side lights.



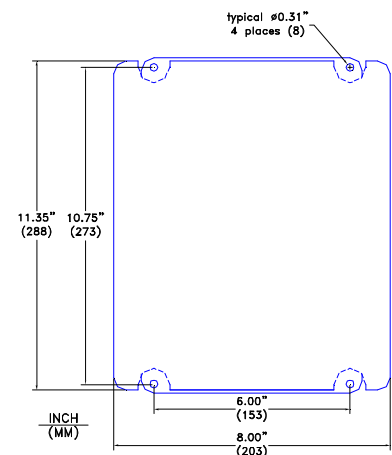
- Alarm Contacts (Form-C) provided for White Beacon, Red Beacon, Power Failure, Backup, and Photocell alarms.
- Status Contacts (Form-C) provided for day/night mode.
- Manual Day/Night Override switch.
- Modular design allows for field replacement of fuses and control relays for repair.
- DIP switch selectable for Red/White (L-864/L-865) or White/White (L-865) operation.
- Nema4X Lockable Enclosure.
- Uses industry standard 120Vac photoelectric cell.
- Direct Connect RS-232 Serial Port standard.



Specifications

- Specifications: Complies with AC150/5345-43F, Type L-864/L-865 & L-865
- Temperature: -40°C to +55°C
- Humidity: Less than 95%, non-condensing
- Suppression: 70 Joule, 275V, Input Power, Beacons, Side Lights & PEC
45 Joule, 275V, Dry-Contact Alarms & Mode Relay
- Input Power: 120 Vac, 50/60 Hz, 6VA (lights not included)
- Dimensions: 11.35" (288mm) x 8.00" (153mm) x 4" (102mm)
- Weight: 6 lbs (2.7Kg)
- Beacon: Dialight D1RW-C13-006
- Side Lights: 0 to 4 Type L-810 LED Side Lights

Dimensions



Visit us on the internet at www.itl-llc.com