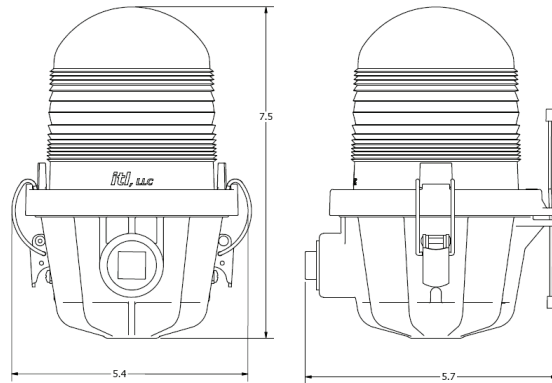


MKR-ILED-1DH

L-810 LED Obstruction Light

Visit our website: www.itl-llc.com

The **MKR-ILED-1DH** Dual Hub Single Obstruction Light utilizes LED technology and Fresnel Optics to provide a reliable low power tower lighting solution.



Features

- Light weight rugged plastic design.
- Stainless steel latches and hardware.
- 3/4 Inch conduit entrance, side and bottom hubs.
- Modular replaceable power supply.
- Power supply operates from 100 to 240 Vac, 50/60Hz
- Available in 12/24/48 VDC versions.
- Double obstruction light version available.

Specifications

Specifications: ETL Certified to AC150/5345-43F, Type L-810.



ICAO Low Intensity Type B version available.

- Intensity: 32.5 effective candelas (min.)
- Height: 7.9 Inches (20.0 cm)
- Width: 5.4 Inches (13.7 cm)
- Weight: 3 lbs. (1.4 Kg)
- Power: 100 to 240 Vac, 50 / 60 Hz, 7W
- Temperature: -40°C to +55°C
- Humidity: less than 95%, non-condensing

