

The **MKR-ILED-DBL** Double Obstruction Light utilizes LED technology and Fresnel Optics to provide a reliable low power tower lighting solution.



- Light weight rugged plastic design.
- Stainless steel latches and hardware.
- 3/4 Inch conduit entrance.
- Modular replaceable power supplies.
- Power supplies operate from 100 to 240 Vac, 50/60Hz
- Available in 12/24/48 VDC versions.

Specifications

Specifications: ETL Certified to AC150/5345-43F, Type L-810.

ICAO Low Intensity Type B version available.

Intensity: 32.5 effective candelas (min.)

Temperature: -55°C to +55°C

Humidity: less than 95%, non-condensing

Power: 100 to 240 Vac, 50 / 60 Hz, 14W

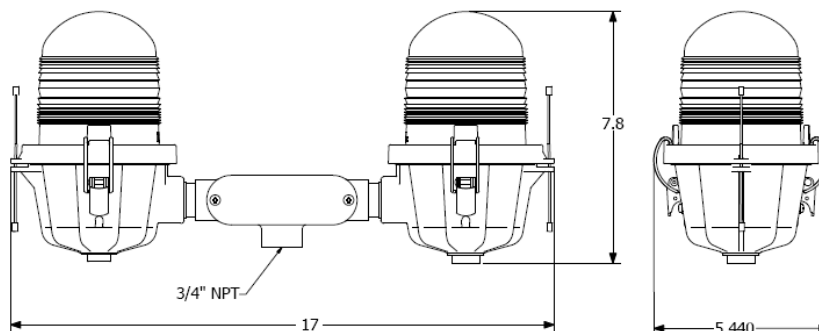


Height: 7.9 Inches (20.0 cm)

Width: 5.4 Inches (13.7 cm)

Length: 17 Inches (43.2 cm)

Weight: 6.5 lbs. (3 Kg)



Visit us on the internet at www.itl-llc.com