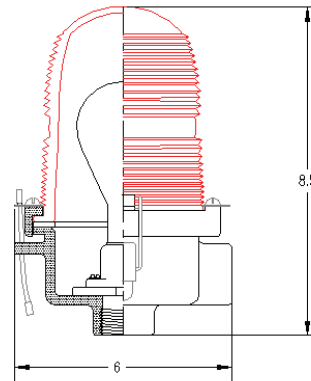


# MKR-S750-0DH

Single Obstruction Light  
Dual Hub

Visit our website: [www.itl-llc.com](http://www.itl-llc.com)

The **MKR-S750-0DH Dual Hub Single Obstruction Light** utilizes aviation red Fresnel optics to provide a reliable and long-term maintainable tower lighting solution.



## Features

- Aviation red Fresnel lens.
- High quality aluminum castings.
- Stainless steel latches and hardware.
- Porcelain lamp socket.
- Stainless steel safety cables.
- 3/4 Inch conduit entrance. side and bottom hubs

## Specifications

Specifications: ETL Certified to AC150/5345-43F,  
Type L-810

Temperature: -40°C to +55°C

Humidity: Less than 95%, non-condensing

Height: 8.5 inch (21.6 cm),

Width: 6 inch (15.3 cm)

Weight: 3 lbs (1.4 Kg)

Input Power: 120 / 230 Vac, 50/60 Hz

Lamps: One 116 W, 120 / 230 Vac  
(Lamp sold separately)

Mounting: 3/4 inch conduit entrance (bottom and side)

