

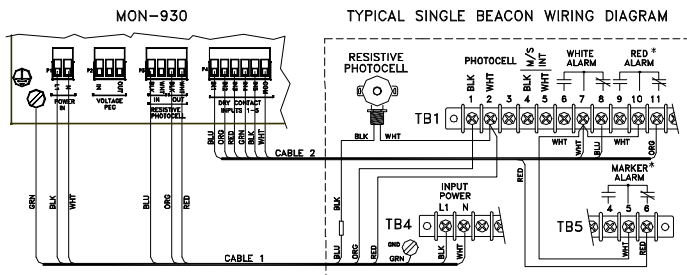
MON-930

Wireless IP Tower Lighting
Monitoring System

The **MON-930 Wireless IP Tower Light Monitoring System** utilizes PCS wireless communication networks to monitor tower lighting systems. The MON-930 works with ITL AutoDialer Pro™ software to provide real-time and historical reporting on tower lighting systems. Supports virtually all existing medium intensity lighting systems and is easily adaptable to new systems.

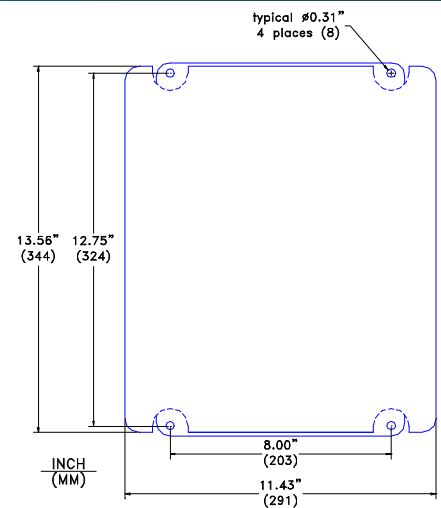


- Supports CDMA, EDGE, GSM and other technology.
- Capable of monitoring triple-beacon systems for towers over 350 ft AGL.
- Remote Day/Night Mode control.
- 10 Dry contact inputs and 2 Form-C relay outputs.
- FCC Part 15 approved wireless modem.
- Integral antenna included, external antennas available as an option.
- Extensive logging and reporting of historical data via ITL AutoDialer Pro™ software.
- LED Indicators for all input/output activity.
- Remote viewing of site status via secure wireless communications.
- Battery backup.



Specifications

- Enclosure: NEMA 4X, Lockable
- Power: 120 VAC, 60 Hz, 12VA (max)
- Temperature: -40°C to +55°C
- Humidity: Less than 95%, non-condensing
- Weight: 10 lbs. (4.5Kg)
- Suppression: 45 Joule, 275V, Input Power, Photocell
23 Joule, 275V, Dry Contact Inputs
23 Joule, 150V, Relay Outputs
- Wireless Modem: FCC Part 15 Approved.
- Relay Outputs: 120 / 230 VAC, 1 Amp, Form-C



Visit us on the internet at www.itl-llc.com