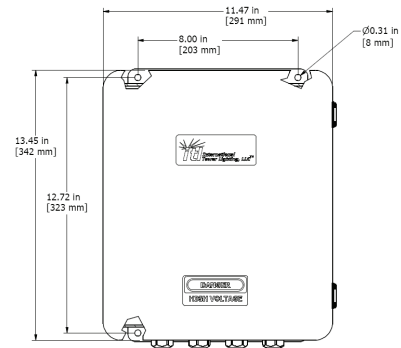
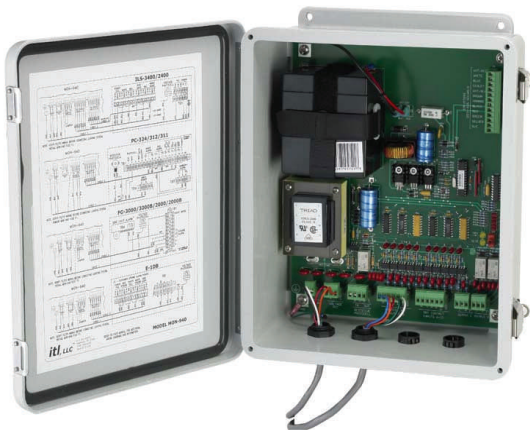


MON-940

Satellite IP Tower Lighting Monitoring System

Visit our website: www.itl-llc.com

The **MON-940 Satellite IP Tower Lighting Monitoring System** utilizes satellite-based communication technology to provide wireless monitoring for even the most remotely located tower. The MON-940 works with ITL AutoDialer Pro™ software to provide real-time and historical reporting on tower lighting systems. Supports virtually all existing medium intensity lighting systems and is easily adaptable to new systems.



Features

- Reliable Satellite-based communications network.
- Supports Stratos SDT-5000 and SDX-1100 Satellite.
- Capable of monitoring triple-beacon systems for towers over 350 ft .
- Remote Day/Night Mode control.
- 10 Dry contact inputs and 2 form-C relay outputs.
- Extensive logging and report generation via ITL AutoDialer Pro™ Network Operation Center (NOC) software.
- LED indicators for all input/output activity.
- Remote viewing of site status via secure wireless communications.
- Battery backup capability and battery included.

Specifications

Enclosure:	NEMA 4X, Lockable
Power:	120 VAC, 60 Hz, 12VA (max)
Temperature:	-40°C to +55°C
Humidity:	Less than 95%, non-condensing
Weight:	10 lbs. (4.5Kg)
Suppression:	45 Joule, 275V, Input Power, Photocell 23 Joule, 275V, Dry Contact Inputs 23 Joule, 150V, Relay Outputs
Relay Outputs:	120 / 230 VAC, 1 Amp, Form-C
Satellite Modem:	Supports Stratos SDT-5000 & SDX-1100 (Sold separately)

