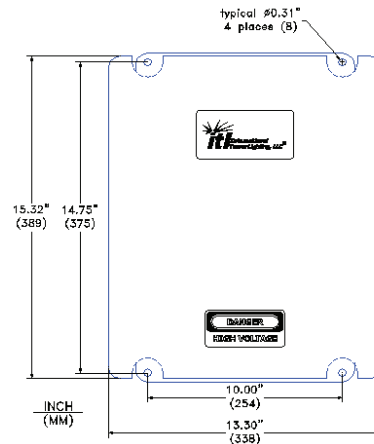
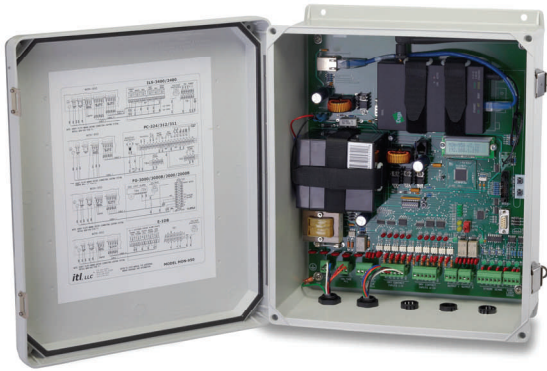


MON-950

SNMP Enabled
Monitoring System

Visit our website: www.itl-llc.com

The **MON-950 SNMP Enabled Monitoring System** can utilize direct wired Ethernet or wireless cellular communication technology to provide monitoring of tower lighting systems. The **MON-950** works with ITL AutoDialer Pro™ software to provide real-time and historical reporting on tower lighting systems. Supports virtually all existing medium intensity lighting systems and is easily adaptable to new systems.



Features

- SNMP V1/V2c enabled.
- Supports direct Ethernet and cellular modems for connectivity.
- Supports GSM and CDMA cellular modems from Sierra and Digi.
- Capable of monitoring triple-beacon systems for towers over 350 ft .
- Remote Day/Night Mode control.
- 10 Dry contact inputs and 2 form-C relay outputs.
- Extensive logging and report generation via ITL Auto-Dialer Pro™ Network
- Operation Center (NOC) software.
- LED indicators for all input/output activity.
- Remote viewing of site status via secure wireless communications.
- Battery backup capability and battery included.

Specifications

Enclosure:	NEMA 4X, Lockable
Power:	120 VAC, 60 Hz, 12VA (max)
Temperature:	-40°C to +55°C
Humidity:	Less than 95%, non-condensing
Weight:	14 lbs. (6.4Kg)
Suppression:	45 Joule, 275V, Input Power, Photocell 23 Joule, 275V, Dry Contact Inputs 23 Joule, 150V, Relay Outputs
Relay Outputs:	120 / 230 VAC, 1 Amp, Form-C
Modems:	Supports Airlink Raven XT and Digi Connect WAN cellular modems (GSM & CMDA). Modems Sold separately.

