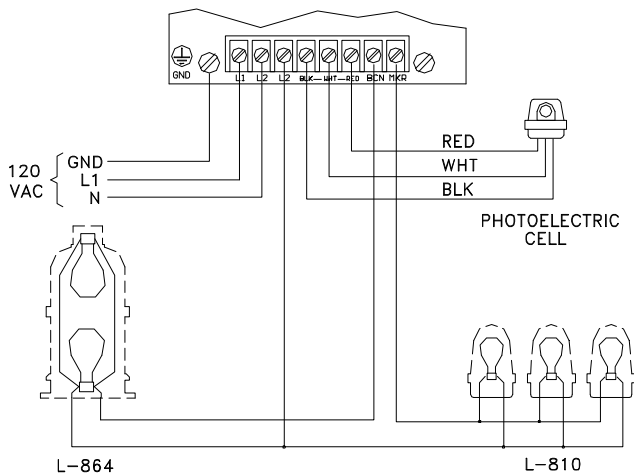


RLC-101
Un-alarmed Single Beacon
Red Light Controller



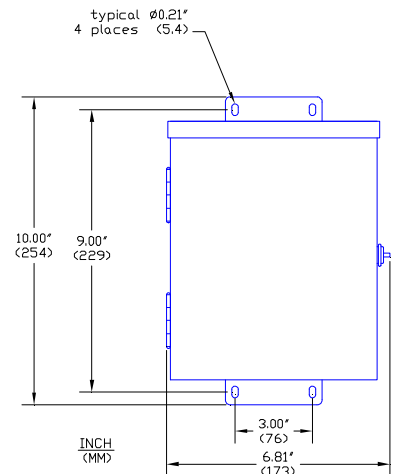
The **RLC-101 Red Light Controller** is a rugged, low cost, un-alarmed control solution for type A-1 towers.

- Controls one L-864 LED or incandescent beacon and up to five L-810 LED or incandescent markers.
- Compact lockable NEMA 3R Enclosure (10 x 6.8 inches overall).
- Three pre-punched knockouts (1/2 inch - 1 inch).
- Manual mode control switch.
- Indicator lights for operating mode and flash command.
- Built-in fusing for beacon, markers, and photoelectric cell (PEC).
- 120VAC and 230VAC International versions available.



Specifications

Beacon:	Two 620W / 120 Vac bulbs or Two 500W / 230 Vac bulbs or One LED Beacon
Markers:	Up to Five LED or Incandescent markers (all manufacturers)
PEC:	120 / 230 Vac, 50 / 60 Hz
Suppression:	45 Joule, 275V, Power, Beacon, Marker, PEC
Enclosure:	NEMA Type 3R, Lockable
Power:	120 / 230 Vac, 50/60 Hz, 6VA (Lights not included)
Temperature:	-40°C to +55°C
Humidity:	Less than 95%, non-condensing
Weight:	5 lbs. (2.3kg)



Visit us on the internet at www.itl-llc.com