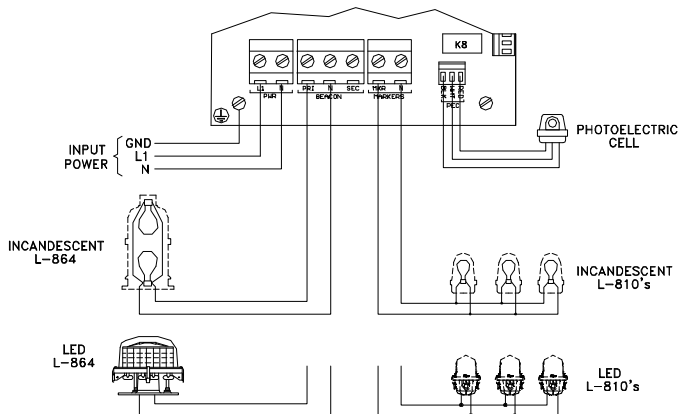




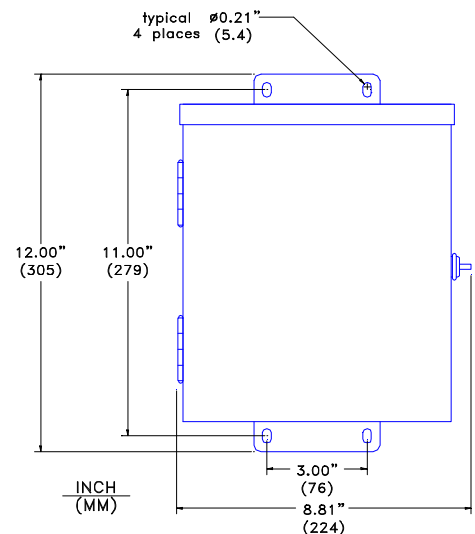
The **RLC-201 LED/Incandescent Alarmed Red Light Controller** is a complete control solution for type A-1 Towers.

- Controls one L-864 LED or incandescent beacon and up to five L-810 LED or incandescent markers.
- Compact lockable NEMA 3R Enclosure (12 x 8.8 inches overall).
- Three pre-punched knockouts (1/2 inch - 1 inch).
- Manual mode control switch.
- Indicator lights for operating mode and flash command.
- Built-in fusing for beacon, markers, and photoelectric cell (PEC).
- Alarm relays indicate failure of lamp, flasher, marker, PEC and Power Fail.
- Mode relay indicates day or night mode operation.
- 120VAC and 230VAC International versions available.



Specifications

| | |
|---------------|--|
| Beacon: | One Incandescent Beacon: Two 620W / 120 Vac lamps or Two 700W / 230 Vac lamps or One Dialight D164 Series or D264 Series LED Beacon |
| Markers: | Up to Five Incandescent 116W or 100W, 120 or 230 Vac Up to Five LED ITL MKR-ILED-0DH or Other 7W LED marker lights |
| Alarm Relays: | 120 / 230 Vac, 1 Amp |
| PEC: | 120 / 230 Vac, 50 / 60 Hz, 1VA |
| Suppression: | 45 Joule, 275V, Pwr, Bcn, Mkr, PEC 23 Joule, 275V, All alarm relays |
| Enclosure: | NEMA Type 3R, Lockable |
| Power: | 120 / 230 Vac, 50/60 Hz, 6VA |
| Temperature: | -40°C to +55°C |
| Humidity: | Less than 95%, non-condensing |
| Weight: | 8lbs. (3.6kg) |



Visit us on the internet at www.itl-llc.com