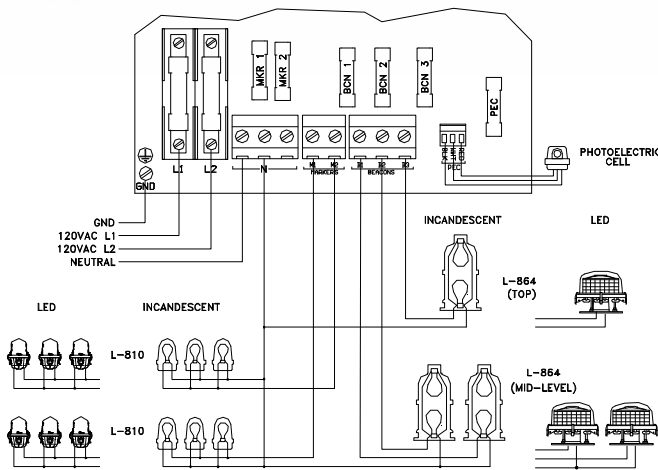




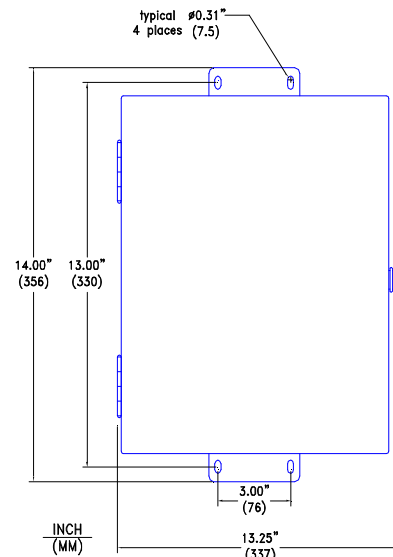
The **RLC-203 LED/Incandescent Alarmed Red Light Controller** is a complete control solution for type A-2 Towers.

- Controls three L-864 LED or incandescent beacons and two levels of up to five L-810 LED or incandescent markers.
- Compact lockable NEMA 3R Enclosure (14.00 x 13.25 inches overall).
- Manual mode control switch.
- Indicator lights for alarms, operating mode and flash command.
- Built-in fusing for beacons, each marker level, and photoelectric cell (PEC).
- Alarm relays indicate failure of lamp, flasher, marker, PEC and Power Fail.
- Mode relay indicates day or night mode operation.
- 120VAC and 230VAC International versions available.



Specifications

Beacons:	2 or 3 Incandescent Beacons: Two 620W / 120 Vac lamps or Two 700W / 230 Vac lamps or 2 or 3 Dialight D164 or D264 LED Beacons
Markers:	Two levels, Up to Five per level 116W / 120 Vac Incandescent or 100W / 230 Vac Incandescent or ITL MKR-ILED-0DH or Other 7W LED marker lights
Alarm Relays:	120 / 230 Vac, 1 Amp
PEC:	120 / 230 Vac, 50 / 60 Hz, 1VA
Suppression:	45 Joule, 275V, Pwr, Bcn, Mkr, PEC 23 Joule, 275V, All alarm relays
Enclosure:	NEMA Type 3R, Lockable
Power:	120 / 230 Vac, 50/60 Hz, 12VA
Temperature:	-40°C to +55°C
Humidity:	Less than 95%, non-condensing
Weight:	17lbs. (7.8kg)



Visit us on the internet at www.itl-llc.com