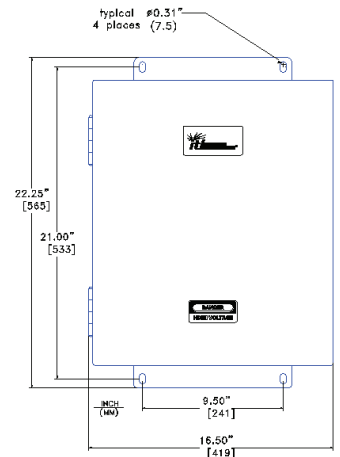
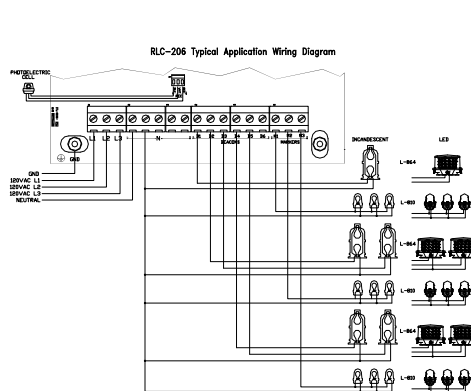
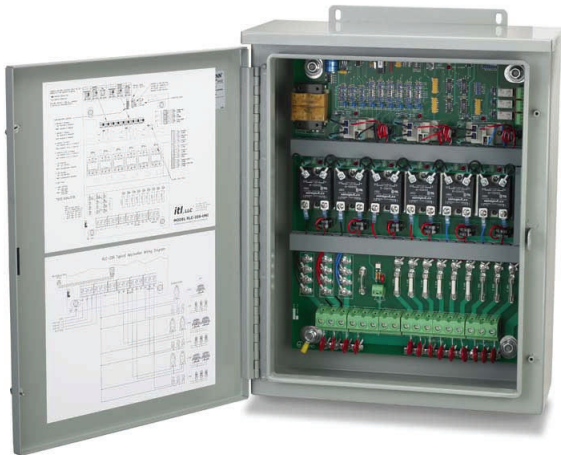


RLC-206-UNI

Alarmed Six Beacon
Red Light Controller

Visit our website: www.itl-llc.com

The RLC-206 LED/Incandescent Alarmed Red Light Controller is a complete control solution for type A-3 towers.



Features

- Controls six L-864 LED or incandescent beacons and three levels of up to five L-810 LED or incandescent markers.
- Compact lockable NEMA 3R Enclosure (22.25 x 16.50 inches overall).
- Manual mode control switch.
- Indicator lights for alarms, operating mode and flash command.
- Built-in fusing for beacons, each marker level, and photoelectric cell (PEC).
- Alarm relays indicate failure of lamp, flasher, marker, PEC and Power Fail.
- Mode relay indicates day or night mode operation.
- 120VAC and 230VAC International versions available.

Specifications

Beacons:	4, 5 or 6 Incandescent Beacons: Two 620W / 120 Vac lamps or Two 700W / 230 Vac lamps 4, 5 or 6 ITL IFH-1700-000 or Dialight D264 series LED Beacons
Markers:	2 or 3 levels, Up to Five per level 116W / 120 Vac Incandescent or 100W / 230 Vac Incandescent or ITL MKR-ILED-1DH or Other 7W LED marker lights
Alarm Relays:	120 / 230 Vac, 1 Amp
PEC:	120 / 230 Vac, 50 / 60 Hz, 1VA
Suppression:	70 Joule, 130V, Pwr, Bcn, Mkr, PEC 23 Joule, 275V, All alarm relays
Enclosure:	NEMA Type 3R, Lockable
Power:	120 / 230 Vac, 50/60 Hz, 12VA
Temperature:	-40°C to +55°C
Humidity:	Less than 95%, non-condensing
Weight:	32lbs. (14.5kg)



P.O. Box 41875 Nashville, TN 37204 USA
Phone: +1 (615) 256-6030 Toll Free: +1 (866) 624-8309 Fax: +1 (615) 256-6032
Copyright © 2007 - 2012

