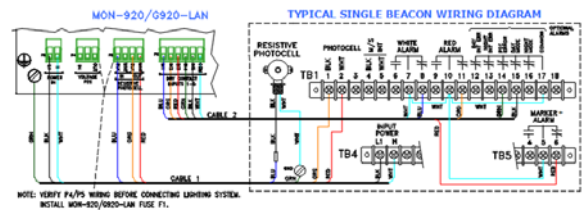
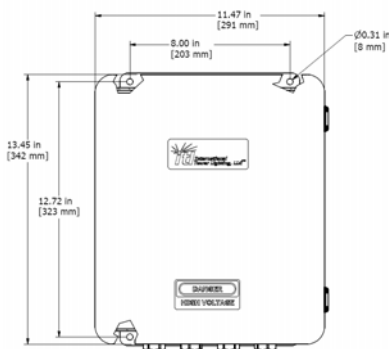


MON-920/G920-LAN

Ethernet IP Tower Lighting
Monitoring System

Visit our website: www.itl-llc.com

The **MON-920/G920-LAN Ethernet IP Tower Lighting Monitoring System** utilizes your existing local area network (LAN) to monitor your tower lighting systems. The MON-920/G920-LAN works with ITL AutoDialer Pro™ software to provide real-time and historical reporting on tower lighting systems. Supports virtually all existing medium intensity lighting systems and is easily adaptable to new systems.



Features

- Supports standard RJ-45 Ethernet connection.
- Capable of monitoring triple-beacon systems for towers over 350 ft AGL.
- Remote Day/Night Mode control.
- 10 Dry contact inputs and 2 Form-C relay outputs.
- Extensive logging and reporting of historical data via ITL AutoDialer Pro™ software.
- LED Indicators for all input/output activity.
- Remote viewing of site status .
- Battery backup.

Specifications

- Enclosure: NEMA 4X, Lockable
Power: 120 Vac, 50/60 Hz, 12VA (max)
Temperature: -40°C to +55°C
Humidity: Less than 95%, non-condensing
Weight: 10 lbs. (4.5kg)
Suppression: 45 Joule, Input Power, Photocell
23 Joule, Dry Contact Inputs
Comm. Interface: Ethernet, RJ-45 connector

