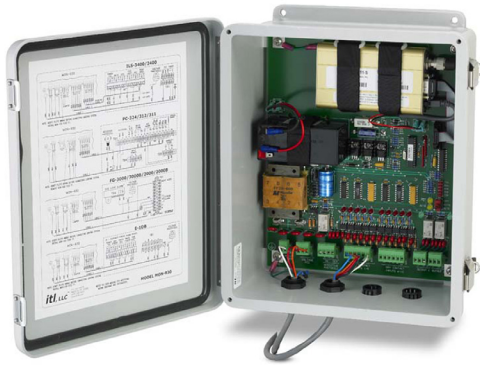


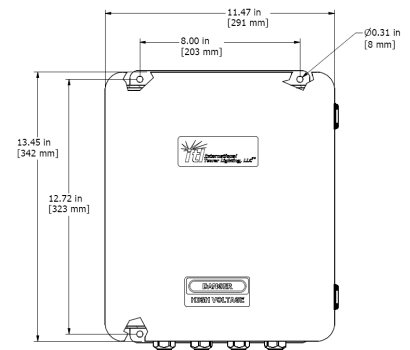
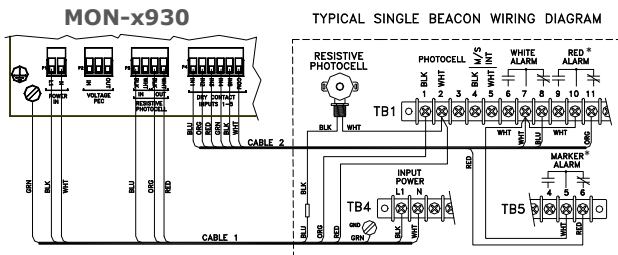
MON-930/G930

Wireless IP Tower Lighting
Monitoring System

Visit our website: www.itl-llc.com



The **MON-930/G930 Wireless IP Tower Light Monitoring System** utilizes PCS wireless communication networks to monitor tower lighting systems. The MON-930/G930 works with ITL AutoDialer Pro™ software to provide real-time and historical reporting on tower lighting systems. Supports virtually all existing medium intensity lighting systems and is easily adaptable to new systems.



Features

- Supports CDMA, EDGE, GSM and other technology.
- Capable of monitoring triple-beacon systems for towers over 350 ft AGL.
- Remote Day/Night Mode control.
- 10 Dry contact inputs and 2 Form-C relay outputs.
- FCC Part 15 approved wireless modem.
- Integral antenna included, external antennas available as an option.
- Extensive logging and reporting of historical data via ITL AutoDialer Pro™ software.
- LED Indicators for all input/output activity.
- Remote viewing of site status via secure wireless communications.
- Battery backup.

Specifications

Enclosure:	NEMA 4X, Lockable
Power:	120 VAC, 60 Hz, 12VA (max)
Temperature:	-40°C to +55°C
Humidity:	Less than 95%, non-condensing
Weight:	10 lbs. (4.5Kg)
Suppression:	45 Joule, 275V, Input Power, Photocell 23 Joule, 275V, Dry Contact Inputs 23 Joule, 150V, Relay Outputs
Wireless Modem:	FCC Part 15 Approved.
Relay Outputs:	120 / 230 VAC, 1 Amp, Form-C

