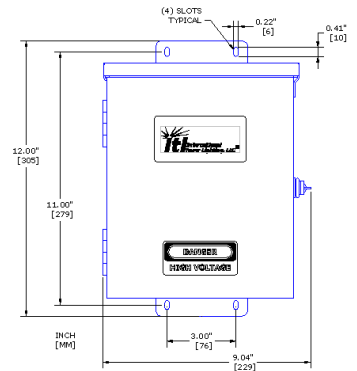
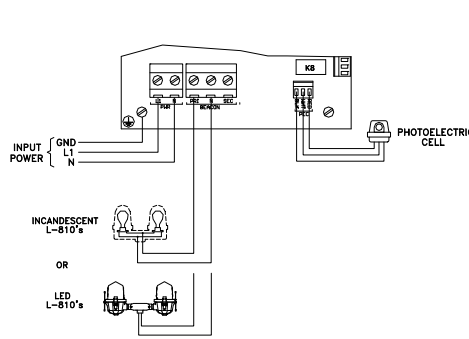


# RLC-200-UNI

Alarmed Obstruction  
Light Controller

Visit our website: [www.itl-llc.com](http://www.itl-llc.com)

The RLC-200 LED/Incandescent Alarmed Red Light Controller is a complete control solution for type A-0 Towers.



## Features

- Controls and monitors up to 5 L-810 single obstruction lights.
- Compact lockable NEMA-3R Enclosure (12 x 8.8 inches overall).
- Three pre-punched knockouts (1/2 inch - 1 inch).
- Manual mode control switch.
- Built-in fusing for obstruction lights and photoelectric cell (PEC).
- Main alarm relay indicates failure of obstruction light, or PEC.
- Individual alarm relays for obstruction light alarm, pec alarm and backup mode.
- Transfer relay included.
- 120VAC and 230VAC International versions available.

## Specifications

Obstruction Lights:	Up to 5 Incandescent 116W / 120 Vac lamps or 100W / 230 Vac lamps or Up to 5 LED ITL MKR-ILED-1DH or Other 7W LED marker lights
PEC:	120 / 230 Vac, 50 / 60 Hz, 1VA
Alarm Relays:	120 / 230 Vac, 1 Amp
Suppression:	45 Joule, 275V, Power, Lights, PEC 23 Joule, 275V, Alarm relays
Enclosure:	NEMA Type 3R, Lockable
Power:	120 / 230 Vac, 50/60 Hz, 6VA
Temperature:	-40°C to +55°C
Humidity:	Less than 95%, non-condensing
Weight:	8 lbs. (3.6kg)

