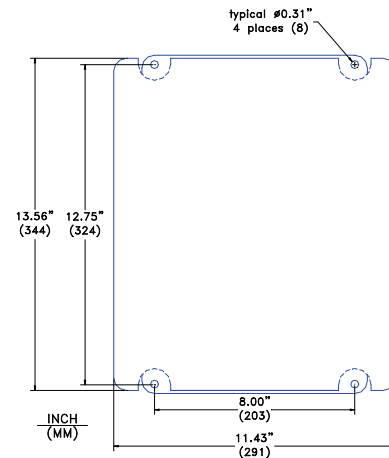
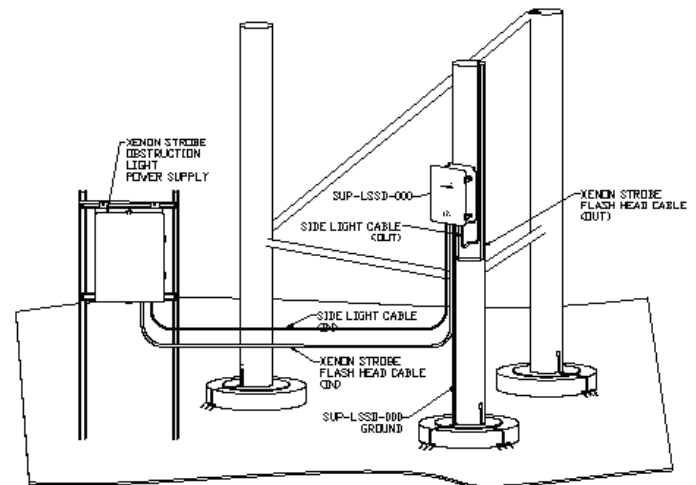
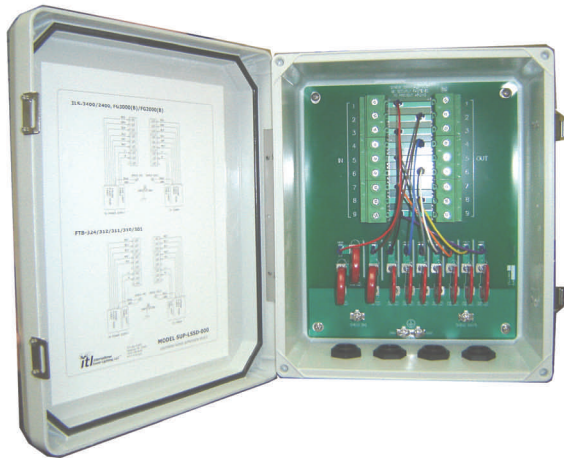


SUP-LSSD-000

Lightning Surge Suppression Device for
Strobe Obstruction Lighting Systems

Visit our website: www.itl-llc.com

The **SUP-LSSD-000** provides lightning surge suppression for all high voltage and control conductors in typical strobe obstruction light flash head cables. Two high voltage channels are provided for strobe anode and cathode conductors as well as seven additional channels for control conductors.



Features

- High voltage channels for Strobe Anode and Cathode.
- Seven channels provided for control conductors.
- Ground terminals for cable shields and system ground.
- Lockable NEMA 4X enclosure.
- Four water tight cable strain reliefs.
- Replaceable screw-mount metal oxide varistors.
- Designed for most popular models of strobe obstruction lighting systems.

Specifications

Peak Current Pulse:	40,000 Amps, each channel (8/20 μ s Current Wave)
Channels:	
Strobe Anode:	1400V, 1050J
Strobe Cathode:	750V, 1050J
Control lines (7):	120Vac, 300J
Enclosure:	NEMA Type 4X, Lockable
Temperature:	-40°C to +55°C
Humidity:	Less than 95%, non-condensing



P.O. Box 41875 Nashville, TN 37204 USA
Phone: +1 (615) 256-6030 Toll Free: +1 (866) 624-8309 Fax: +1 (615) 256-6032
Copyright © 2011 - 2012

