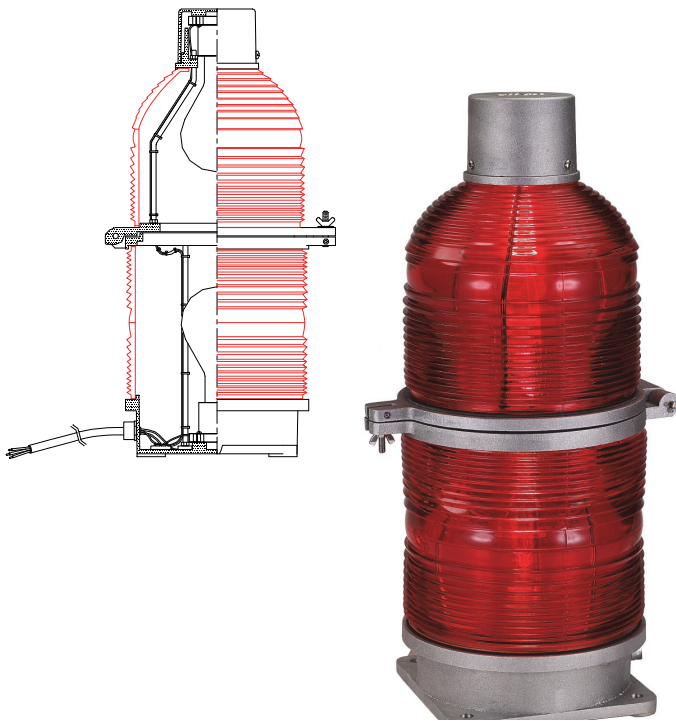


# Installation Instruction Manual

BCN-0300

Red Incandescent  
Flashing Beacon



Toll Free: +1 (866) 624-8309 • [www.itl-llc.com](http://www.itl-llc.com)

 **itl** International  
Tower Lighting, LLC™

## Front Matter

### Copyright & Trademarks

Copyright © 2004-2014 by ITL, LLC. All rights reserved. This document contains proprietary information, photographs, graphics, and other material (collectively, "the Content") protected by copyright, and this manual and all accompanying hardware, software and documentation are copyrighted. No part of this document may be photocopied or reproduced by mechanical, electronic, or other means in any form without written consent of ITL, LLC.

*ITL, LLC, BCN-0300 and the ITL logo* are trademarks of ITL, LLC. All other trademarks and brand names are the property of their respective proprietors.

### Limited Warranty and Disclaimer

ITL, LLC guarantees that every BCN-0300 series red beacon is free from physical defects of material and workmanship under normal use for two (2) year from the date of purchase. If the product proves defective during this warranty period, please contact ITL, LLC in order to obtain a Return Authorization Number, RMA.

In no event shall ITL, LLC's liability exceed the price paid for the product from direct, indirect, special, incidental, or consequential damages resulting from the use of the product, its accompanying software, or its documentation. ITL, LLC makes no warranty or representation, expressed, implied, or statutory, with respect to its products or the contents or use of this documentation and all accompanying software, and specifically disclaims its quality, performance, merchantability, or fitness for any particular purpose unless otherwise stated.

The technical documentation is being delivered to you AS-IS. ITL, LLC makes no warranty as to its accuracy or use. Any use of the technical documentation or the information contained therein is at the risk of the user. Documentation may include technical or other inaccuracies or typographical errors. ITL, LLC reserves the right to revise or update its products, software, or documentation without obligation to notify any individual or entity.

Please send any comments regarding the manual to [support\\_doc@itl-llc.com](mailto:support_doc@itl-llc.com).

## Safety Warning



This equipment uses lethal voltages which can cause serious injury and/or death. Do not attempt to service this equipment with line power applied.

This equipment produces brilliant flashes of light. Temporary or permanent eye damage may result if looking directly at the equipment while it is operating.

Do not rely on interlock switches to remove lethal voltages from the system. Measure for voltages using a voltmeter to ensure that power is off and has been completely removed.

Do not wear any jewelry. Gold and silver are excellent conductors of electricity.

## Table of Contents

The fastest way to find a specific topic is to use the detailed index in the back of the manual.

Front Matter .....	2
Copyright & Trademarks .....	2
Limited Warranty and Disclaimer .....	2
Safety Warning .....	3
Introduction .....	5
Model Numbers .....	5
Specifications .....	6
Mounting Dimensions .....	7
Installation .....	8
Leveling .....	8
Electrical Connections .....	9
Beacon Parts Locator .....	10
Replacement Parts .....	11
Technical Support and Contact Info .....	12
Contact Info .....	12
RMA .....	12

## Introduction

The ITL, LLC L-864 300mm red incandescent beacon has been tested for compliance with applicable FAA specifications for marking hazards to air navigation such as radio, transmission line, and television towers, smoke stacks, and similar structures. It is intended for installations which require FAA L-864 red lights.

The beacon is constructed of heavy aluminum casts with stainless steel hardware and neoprene gaskets for extreme temperatures. The optical part consists of four glass sections forming two Fresnel lenses and providing omni-directional 360° horizontal beam coverage. The light sources are two 620W/120VAC or 700W/230VAC Mogul pre-focus beacon lamps mounted in ceramic sockets. The beacon is factory supplied with an already attached 5' 14AWG 3 conductor SO cord which supplies power to the fixture.

The beacon must be used in conjunctions with a beacon flasher or controller in order to provide proper flash rate as per FAA specifications. ITL provides such controllers under P/N RLC-0201-120 for 120VAC applications and RLC-0201-230 for 230VAC applications. These controllers provide proper flash rate, day and night switching, and a variety of alarms providing detailed status about the beacon operation.

Included in this manual are list of specifications, electrical connection diagram, bill of material and contact information.

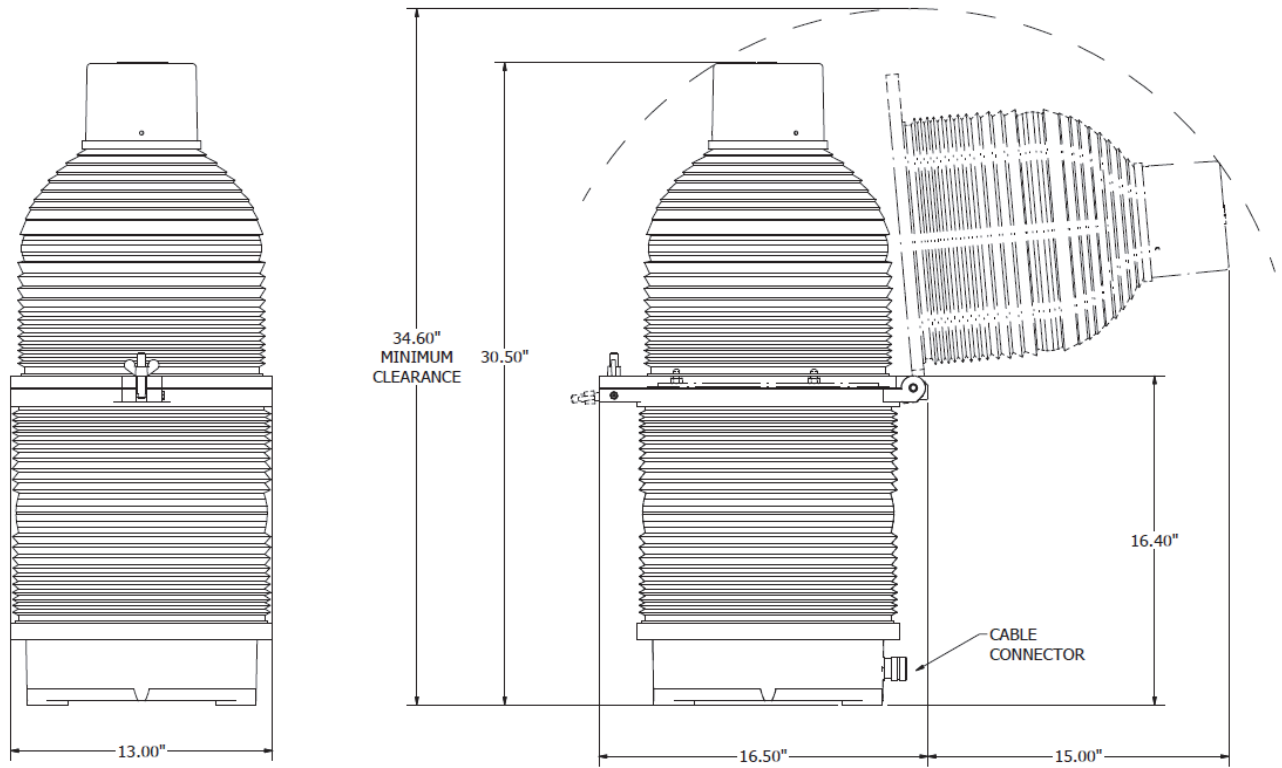
## Model Numbers

ITL Part Number	Model
BCN-0300-000	L-864 Beacon, 120VAC, Red Lens

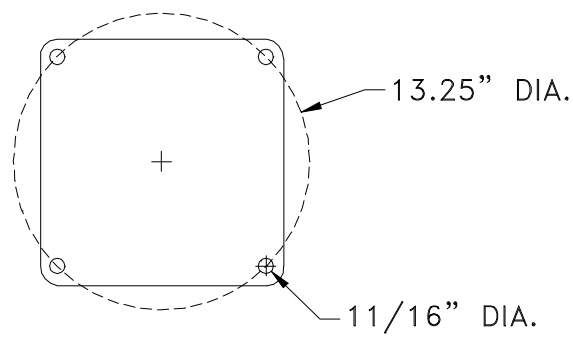
## Specifications

Specifications	
Height	30.5 inches (77.5cm)
Diameter	16.5 inches (41.9cm)
Weight	61 lbs. (28 kg)
Input Power	120VAC/60Hz or 230VAC/50Hz
Flash Rate	20-40 Flashes per Minute (requires controller)
Operating Temperature	-40°C to +85°C
Humidity	Less than 95%, non-condensing
Horizontal Coverage	360°
Effective Candela	20,000 +/- 25%
Lamp	2x 120V/620W or 2x 230V/700W

## Mounting Dimensions



The BCN-0300 has 4 mounting holes as detailed in the following diagram

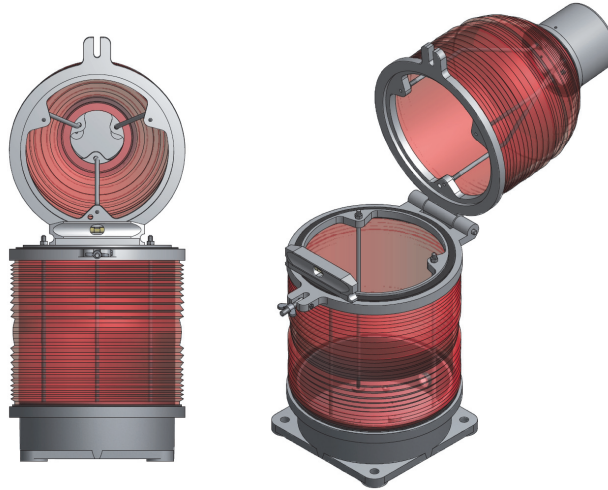


BOTTOM VIEW

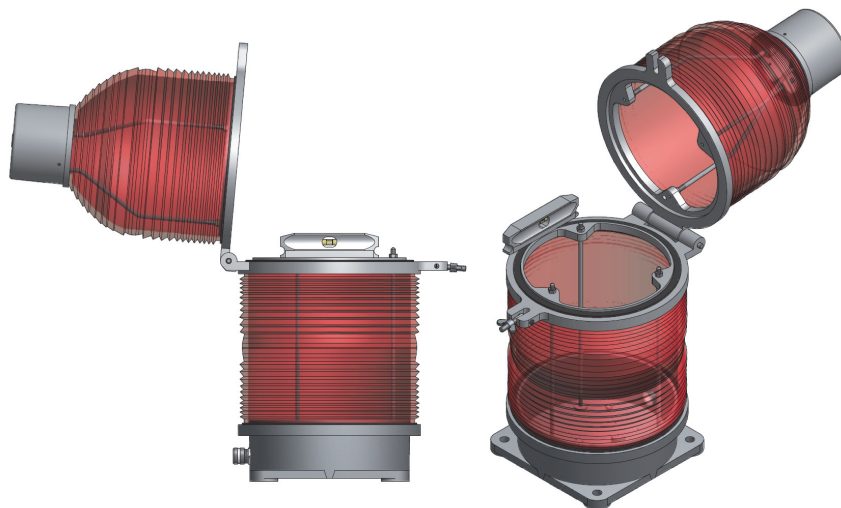
## Installation

### Leveling

Flash heads need to be leveled properly for correct vertical beam spread. The following diagrams detail how to use a compact “torpedo” level on two axes to ensure that the flash head is mounted level. If the flash head mounting surface is not level already use shims to correct. Do not compromise grounding of the four flash head mounting feet.



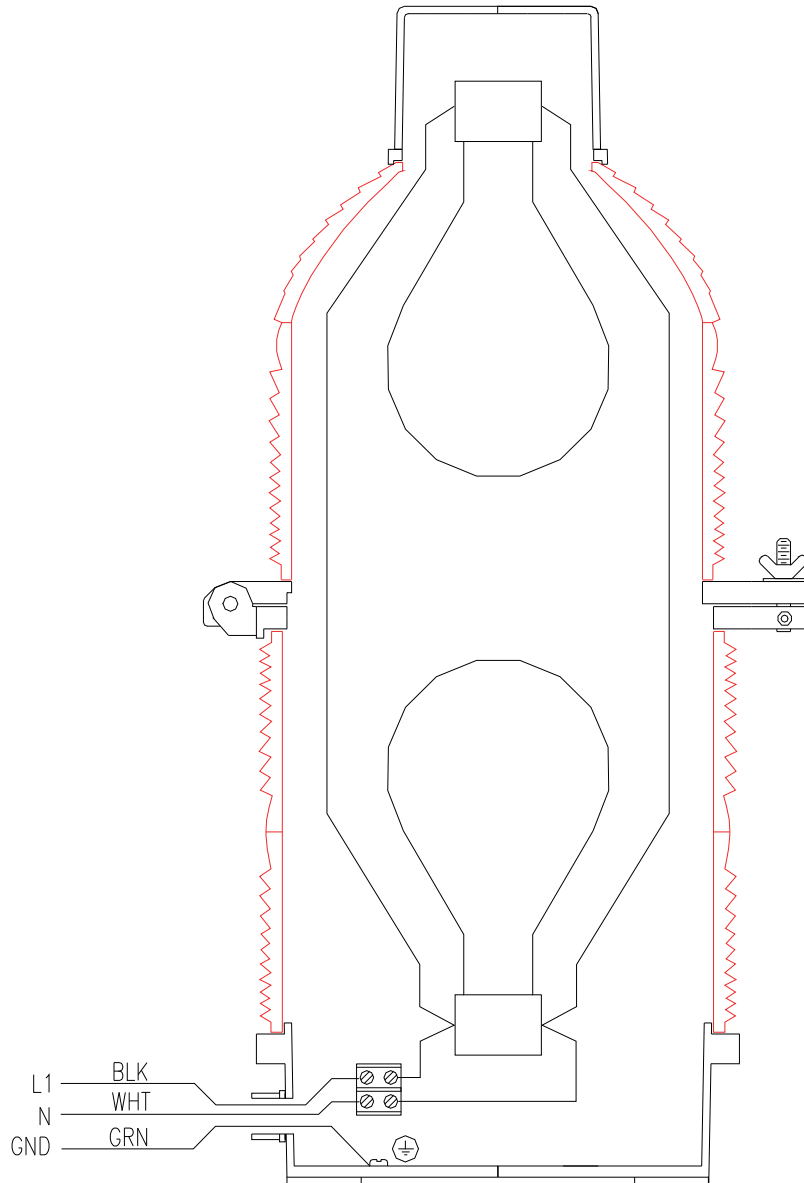
*Figure 1: Flash Head Leveling - Axis 1*



*Figure 2: Flash Head Leveling - Axis 2*

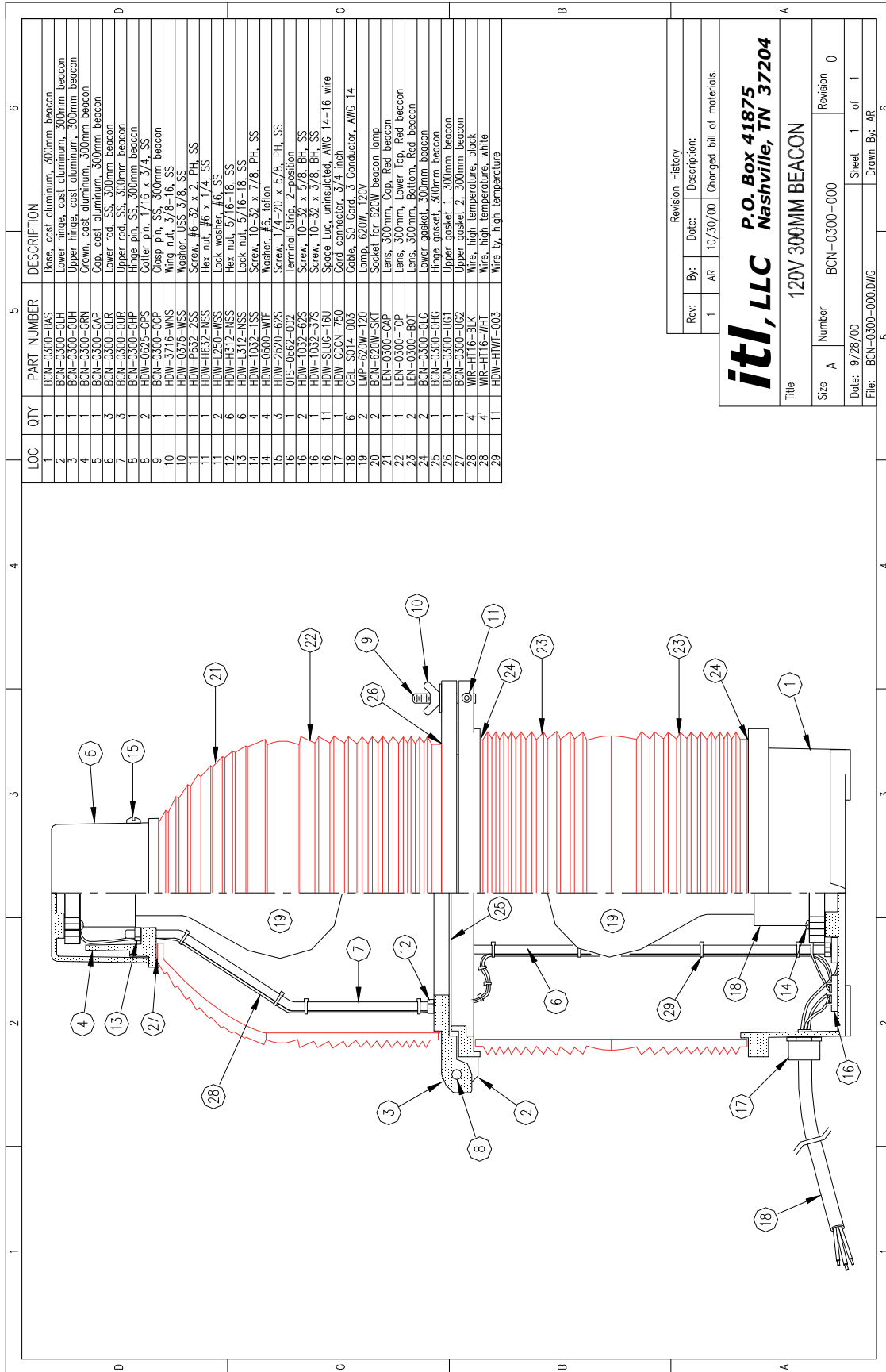


## Electrical Connections



**It is the responsibility of the installer to comply with all applicable local, state, and federal regulations for installation and operation of this device.**

**Beacon Parts Locator**



LOC	QTY	PART NUMBER	DESCRIPTION
1	1	BCN-0300-BAS	Base, cast aluminum, 300mm beacon
2	1	BCN-0300-QLH	Lower hinge, cast aluminum, 300mm beacon
3	1	BCN-0300-QUH	Upper hinge, cast aluminum, 300mm beacon
4	1	BCN-0300-CRN	Crown, cast aluminum, 300mm beacon
5	1	BCN-0300-CAP	Cap, cast aluminum, 300mm beacon
6	3	BCN-0300-CLR	Lower rod, SS, 300mm beacon
7	3	BCN-0300-OUR	Upper rod, SS, 300mm beacon
8	1	BCN-0300-OHP	Hinge pin, SS, 300mm beacon
9	1	BCN-0300-CP5	Clasp pin, 17/16 x 3/4, SS
10	1	BCN-0300-CP6	Wing nut, 3/8-16, SS
11	1	BCN-0300-WNS	Washer, USS, 3/8, SS
12	1	BCN-0300-WSS	Screw, #6-32 x 7/8, PH, SS
13	1	BCN-0300-WNS	Washer, USS, 3/8, SS
14	1	BCN-0300-WSS	Screw, #6-32 x 7/8, PH, SS
15	1	BCN-0300-WNS	Washer, USS, 3/8, SS
16	1	BCN-0300-WSS	Screw, #6-32 x 7/8, PH, SS
17	1	BCN-0300-WNS	Washer, USS, 3/8, SS
18	1	BCN-0300-WSS	Screw, #6-32 x 7/8, PH, SS
19	1	BCN-0300-WNS	Washer, USS, 3/8, SS
20	1	BCN-0300-WSS	Screw, #6-32 x 7/8, PH, SS
21	1	BCN-0300-WNS	Washer, USS, 3/8, SS
22	1	BCN-0300-WSS	Screw, #6-32 x 7/8, PH, SS
23	1	BCN-0300-WNS	Washer, USS, 3/8, SS
24	1	BCN-0300-WSS	Screw, #6-32 x 7/8, PH, SS
25	1	BCN-0300-WNS	Washer, USS, 3/8, SS
26	1	BCN-0300-WSS	Screw, #6-32 x 7/8, PH, SS
27	1	BCN-0300-WNS	Washer, USS, 3/8, SS
28	1	BCN-0300-WSS	Screw, #6-32 x 7/8, PH, SS
29	1	BCN-0300-WNS	Washer, USS, 3/8, SS

Rev:	By:	Date:	Description:
1	AR	10/30/00	Changed bill of materials.

**itl, LLC**  
**P.O. Box 41875**  
**Nashville, TN 37204**

Title: 120V 300MM BEACON

Size A Number BCN-0300-000 Revision 0

Date: 9/28/00 Sheet 1 of 1

File: BCN-0300-000.DWG Drawn By: AR

## Replacement Parts

ITL Part Number	Description
LEN-0300-CAP	Dome Lens
LEN-0300-TOP	Upper Lens
LEN-0300-BOT	Lower Lens (2 required)
BCN-GASK-KIT	Gasket Kit, 300mm Beacon
OTS-0562-002	Terminal Block, Dual 2 Position
HAR-0300-BCN	Internal Wiring Harness, High Temperature
BCN-620W-SKT	Porcelain Socket, Snap-In
LMP-620W-120-LL	Lamp, 120VAC / 620W, 5000 Hours (2 required)

## Technical Support and Contact Info

### Contact Info

For information on the ITL lighting systems' basic functions, refer to this manual and the accompanying drawings. For additional help with the installation or operation of any ITL products, please contact ITL, LLC at one of the following below.

#### Web and Internet Sites

Corporate home page: <http://www.itl-llc.com>



#### Customer Support Technicians (8:00 AM - 5:00 PM Central Time)

US and Canada call: +1-615-256-6030

Toll Free: +1-866-624-8309

Email: [support@itl-llc.com](mailto:support@itl-llc.com)

### RMA

Please contact ITL, LLC before returning equipment for repair and obtain a Return Material Authorization (RMA) number.

- End of Document -

Revision	Description of Change	Date	Preparer / Approval
6	Updated Weight	9/09/2014	Prepared By: Elke Hinson Approved By: Andy Rudolph
5	Added outline dimensions detail	4/03/2014	Prepared By: Elke Hinson Approved By: Andy Rudolph
4	Updated leveling information and effective candela data.	6/06/2013	Prepared By: Elke Hinson Approved By: Andy Rudolph
3	Updated replacement parts list	3/14/2013	Prepared By: Andy Rudolph Approved By: Roberto Schipp
2	Update Coversheet, changed Operational Temperature from (-55°) to (-40°)	6/27/2012	Prepared By: Elke Hinson Approved By: Andy Rudolph
1	Issued	9/20/2011	Prepared By: Elke Hinson Approved By: Andy Rudolph